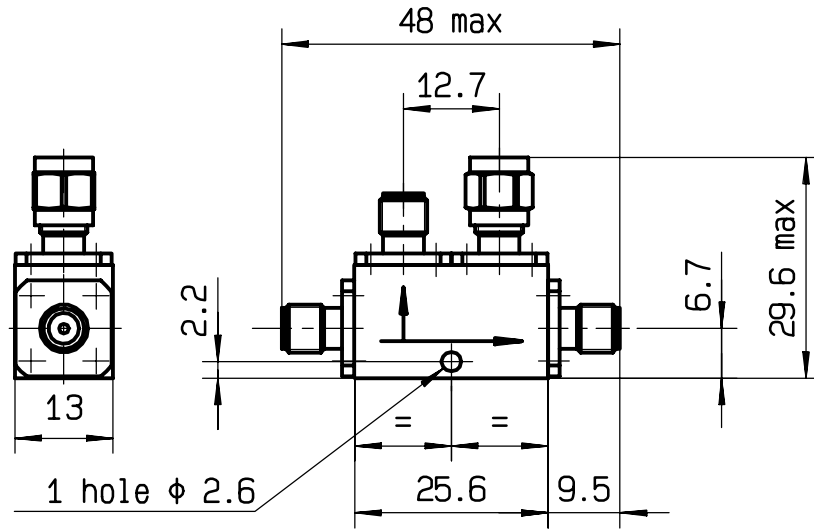




DRAWING



R F CHARACTERISTICS

General tolerances: +/- 0.5 mm

FREQUENCY RANGE	:	6 - 18 GHz
IMPEDANCE	:	50 Ohms
COUPLING (1)	:	10 dB ± 0.5 dB
FREQUENCY SENSITIVITY	:	± 0.5 dB
DIRECTIVITY	:	>= 17 dB
INSERTION LOSS	:	<= 1 dB
V.S.W.R - Main line	:	<= 1.35
AVERAGE POWER at 25°C	:	50 W
PEAK POWER (1µs, 1%) at 25°C	:	3 kW

MECHANICAL CHARACTERISTICS

CONNECTORS	:	SMA female per MIL-C 39012
COAXIAL TERMINATION	:	50 Ohms, 1 W
WEIGHT	:	< 40 g

ENVIRONMENTAL CHARACTERISTICS

OPERATING TEMPERATURE RANGE (°C)	:	-25 , +85
STORAGE TEMPERATURE RANGE (°C)	:	-40 , +100

(1) : Frequency sensitivity is included in coupling

This information is given as an indication. In the continual goal to improve our products, we reserve the right to make any modifications judged necessary

4112-9212

CREATION				
N° :				
PEN/EP:CAT				
Name:MG				
Date:10.Jun.98	08.sep.99	New drawing	MG	AF
APP.:AF	ISSUE	REVISIONS	NAME	APPR.

RADIAL[®]
 101. rue P. Hoffmann -Z.I Quest-
 93116 ROSNY/BOIS Cedex-FRANCE
 Phone:33(1)49353535
 Fax :33(1)48546363
 Tvx RADIA 235220F